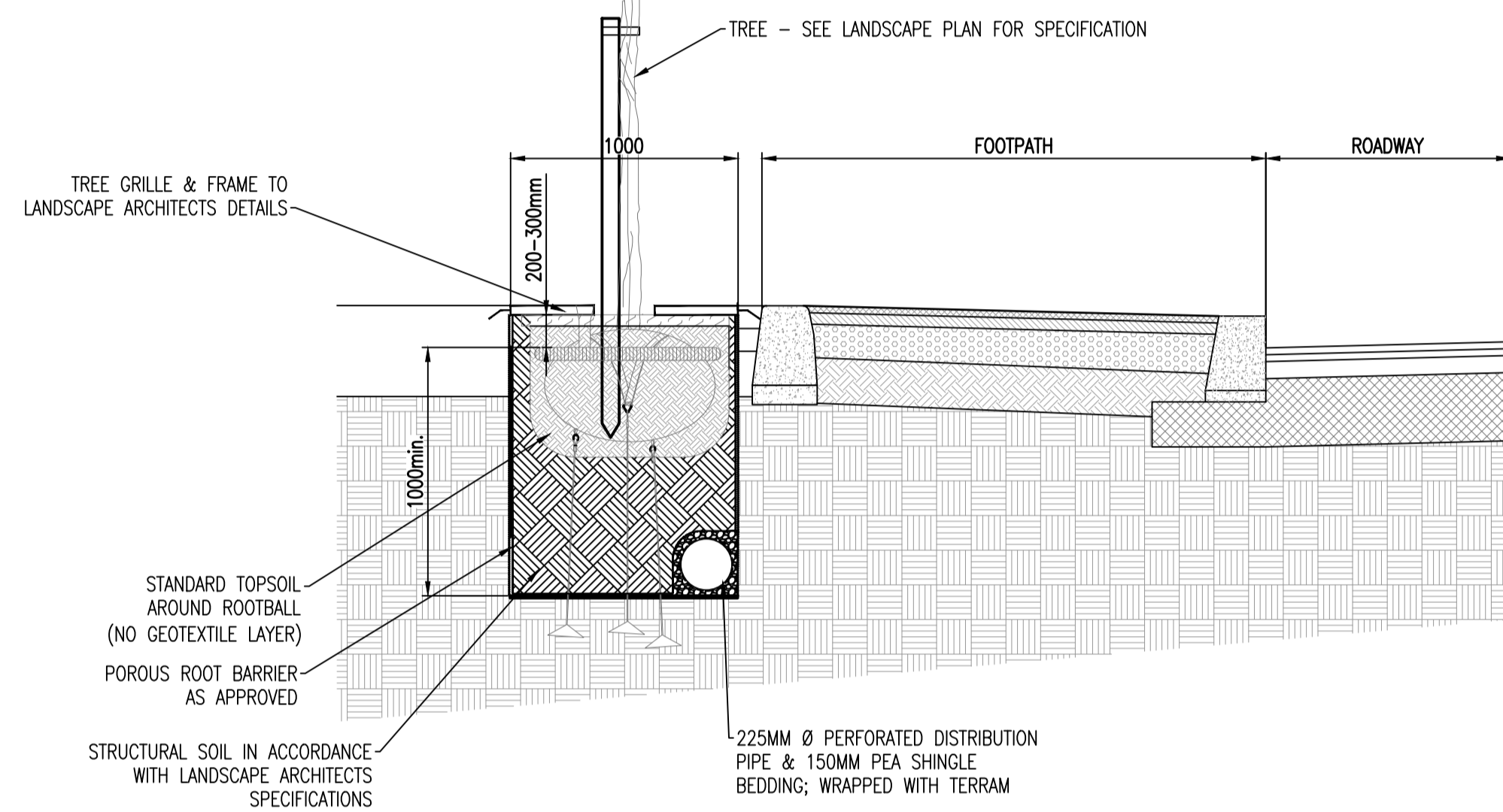
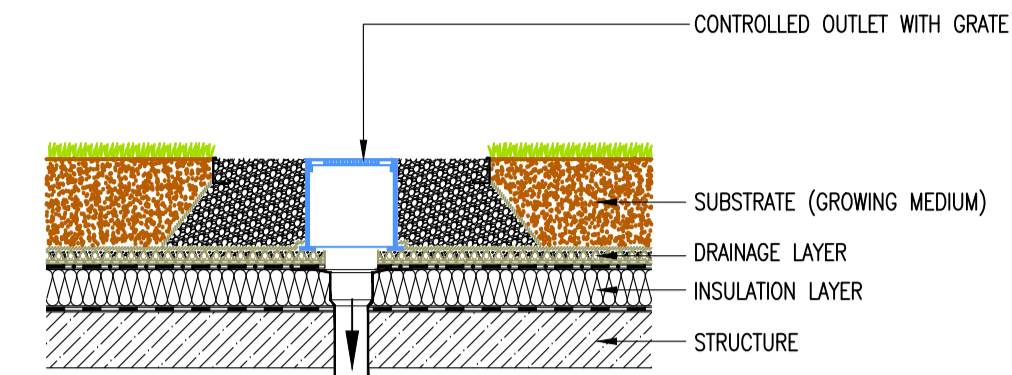


- NOTES:
- DO NOT SCALE. USE FIGURED DIMENSIONS ONLY.
 - THIS DRAWING IS TO BE READ IN CONJUNCTION WITH ALL OTHER RELEVANT ARCHITECTURAL AND ENGINEERING DRAWINGS.



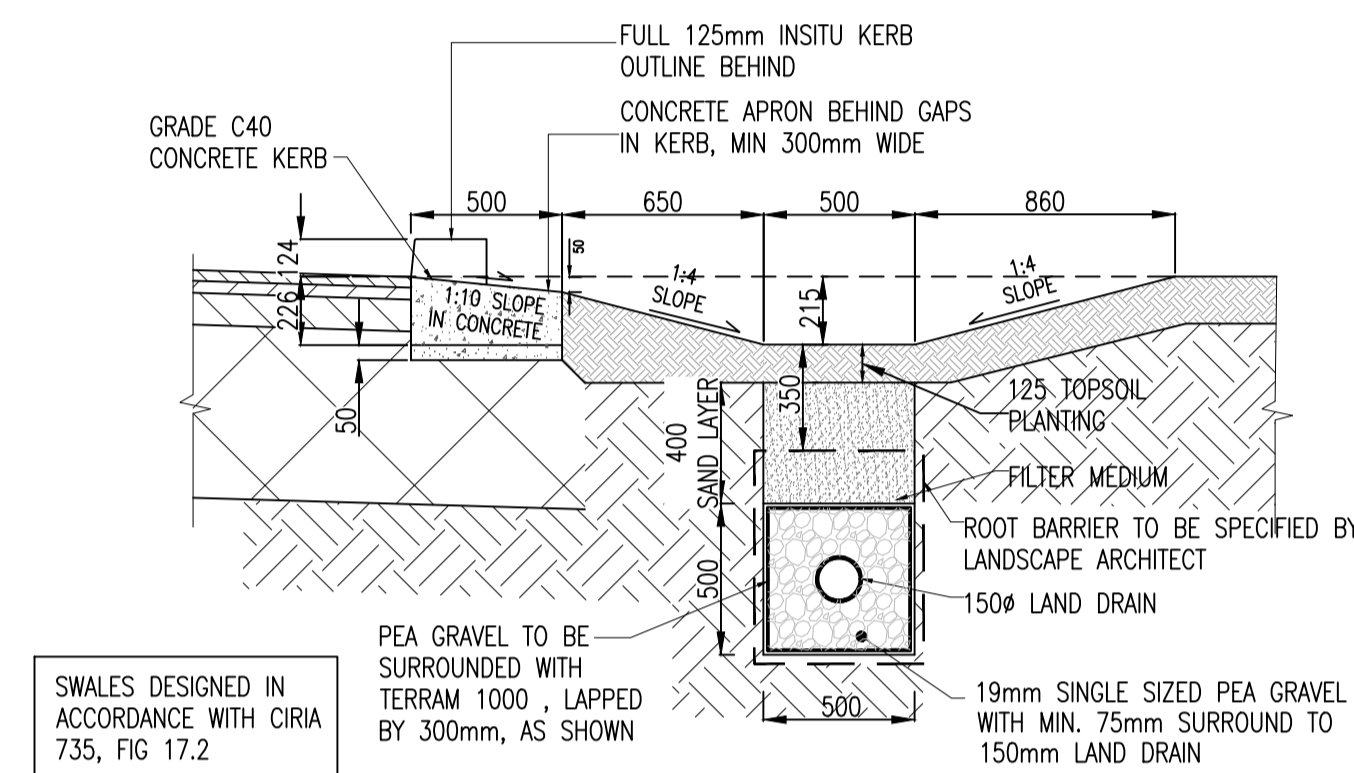
**TYPICAL SECTION THROUGH TREE PIT
(WITHOUT GULLY CONNECTION)**

USE A PROPRIETARY BIO-RETENTION SUDS TREE PIT, OR SIMILAR APPROVED*.
SCALE 1:25 @ A1



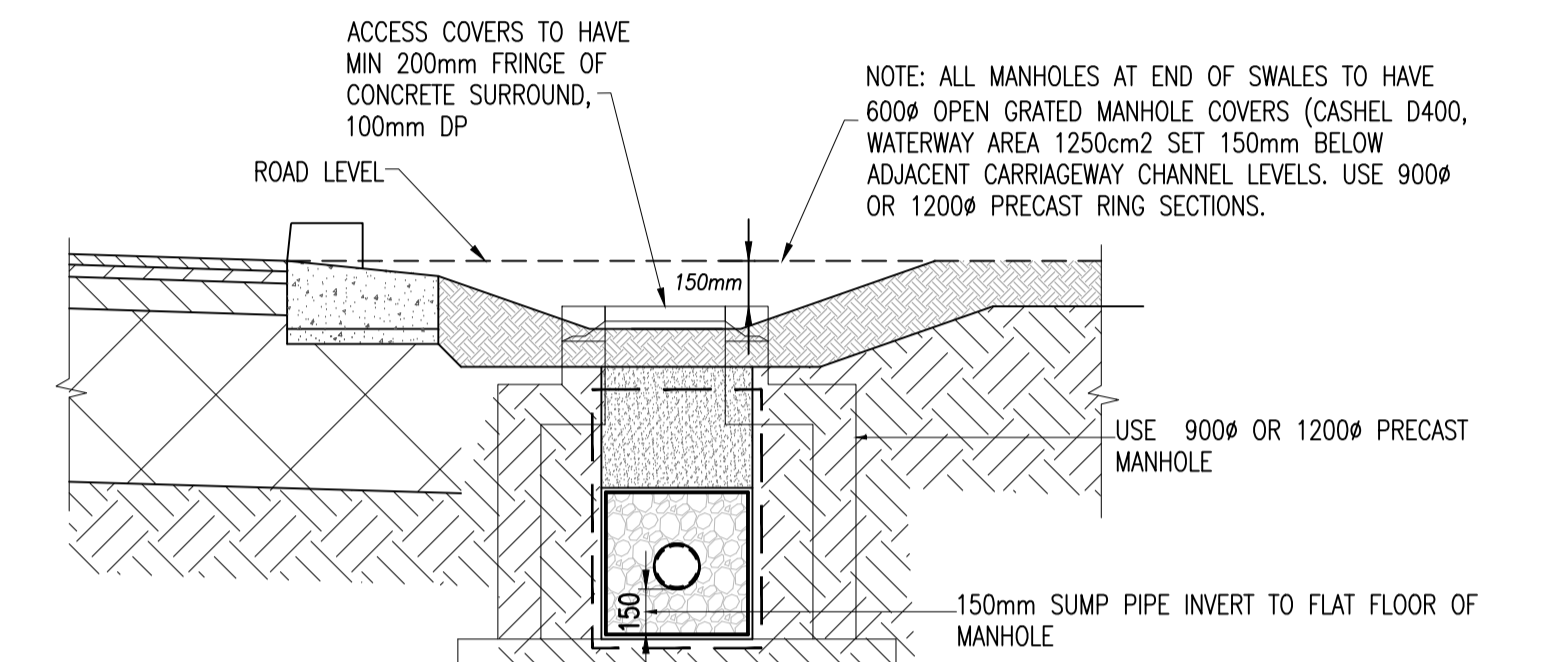
GREEN ROOF PODIUM OUTLET

SCALE 1:25



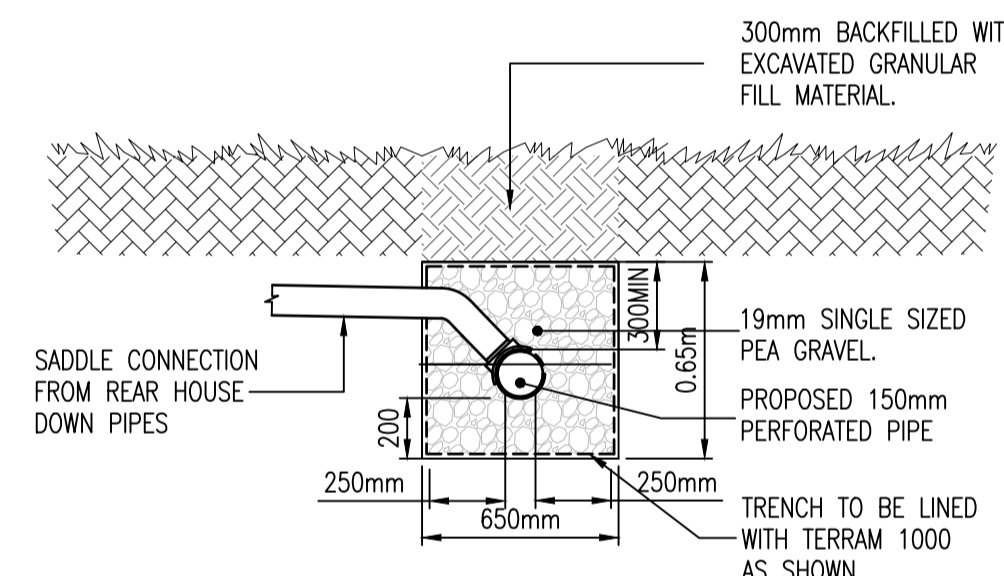
SECTION OF SWALE

SCALE 1:20



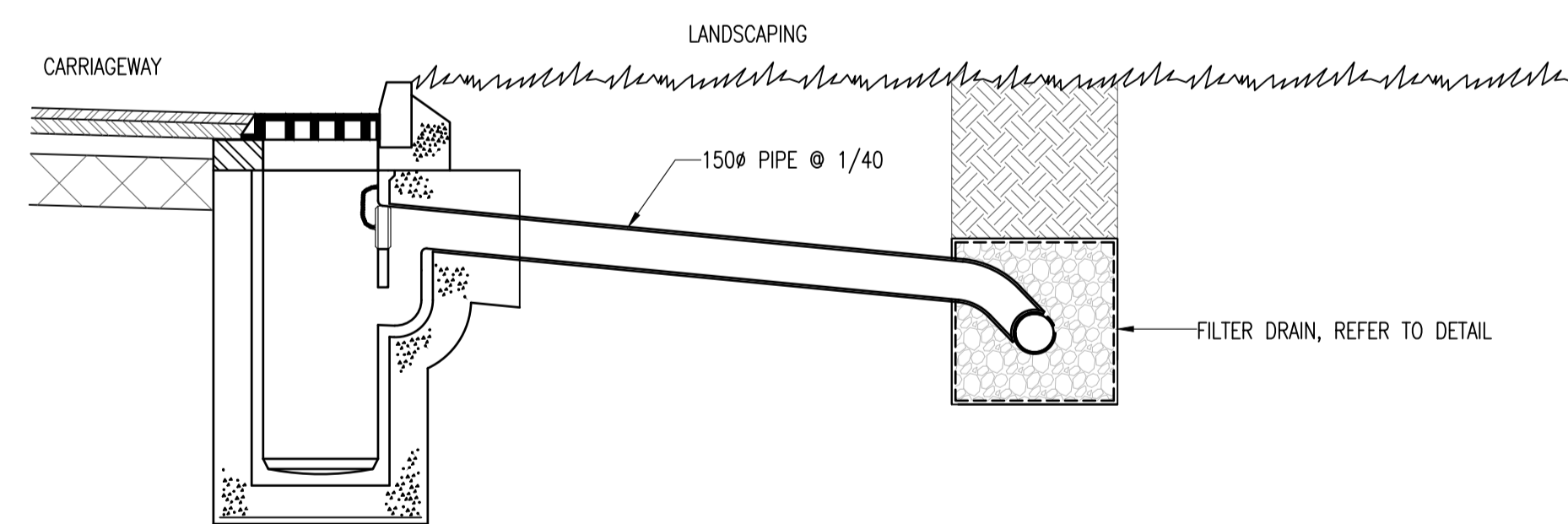
**SECTION OF SWALE WITH LAND DRAIN
OVERFLOW MANHOLE**

SCALE 1:20



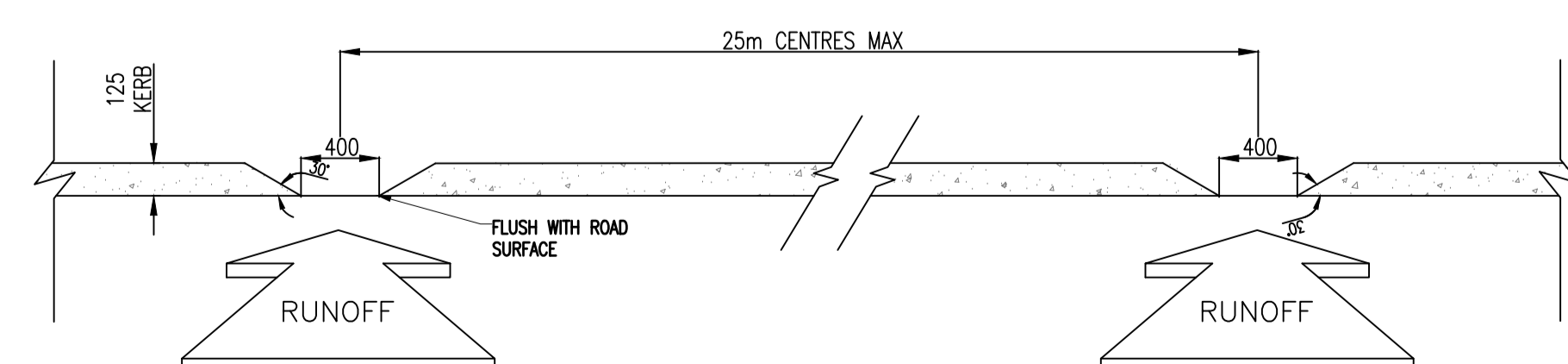
**FILTER DRAIN DETAIL AROUND
HOUSE/APPARTMENT BLOCK**

SCALE 1:25 @ A1



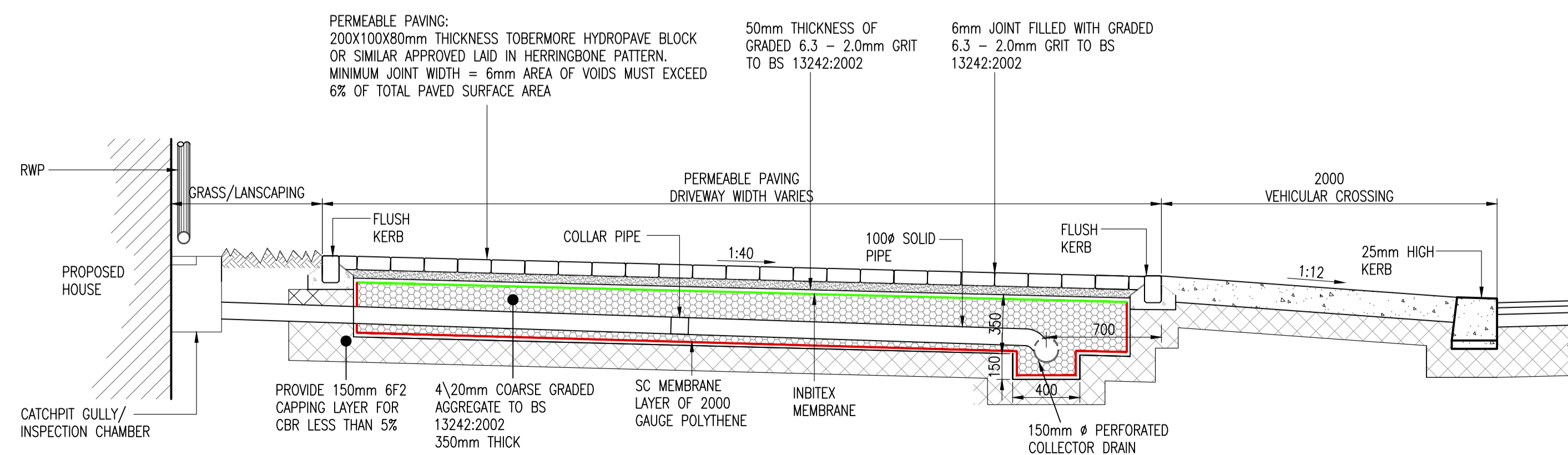
GULLY TO FILTER DRAIN DETAIL UNDER PUBLIC OPEN SPACES

SCALE 1:25



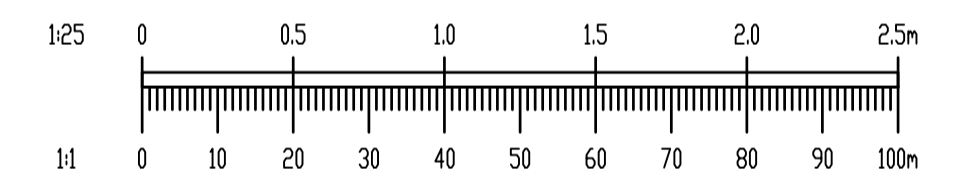
**PROPOSED DROPPED KERB (KERB OPENING) TO ALLOW FOR SURFACE
WATER RUN-OFF**

SCALE 1:25



**TYPICAL SECTION
THROUGH PRIVATE DRIVEWAY PERMEABLE PAVING**

SCALE 1:25



| | | | | |
|------|----------|----------------------|-----|------|
| A | 11/04/22 | FINAL SHD SUBMISSION | PJD | MD |
| REV. | DATE | AMENDMENT | DRN | APPD |

STATUS **FOR PLANNING
NOT FOR CONSTRUCTION**

Waterman Moylan
Engineering Consultants
BLOCK 8, EASTPOINT BUSINESS PARK, ALFIE BYRNE ROAD,
DUBLIN D03 K7W7 IRELAND.
Tel: (01) 664 8900 Fax: (01) 661 3618
Email: info@waterman-moylan.ie www.waterman-moylan.ie

| | | | |
|-----------|---------------------------------------|----------|----------|
| CLIENT | BIRCHWELL DEVELOPMENTS LTD | | |
| ARCHITECT | McCROSSAN O'ROURKE MANNING ARCHITECTS | | |
| PROJECT | BROOMFIELD SHD | | |
| TITLE | TYPICAL SUDS DETAILS | | |
| DRAWN | DESIGNED | APPROVED | DATE |
| PJD | MD | MD | NOV '20 |
| SCALE | JOB NO. | DRG. NO. | REVISION |
| 1:25 @ A1 | 18-091 | P236 | A |